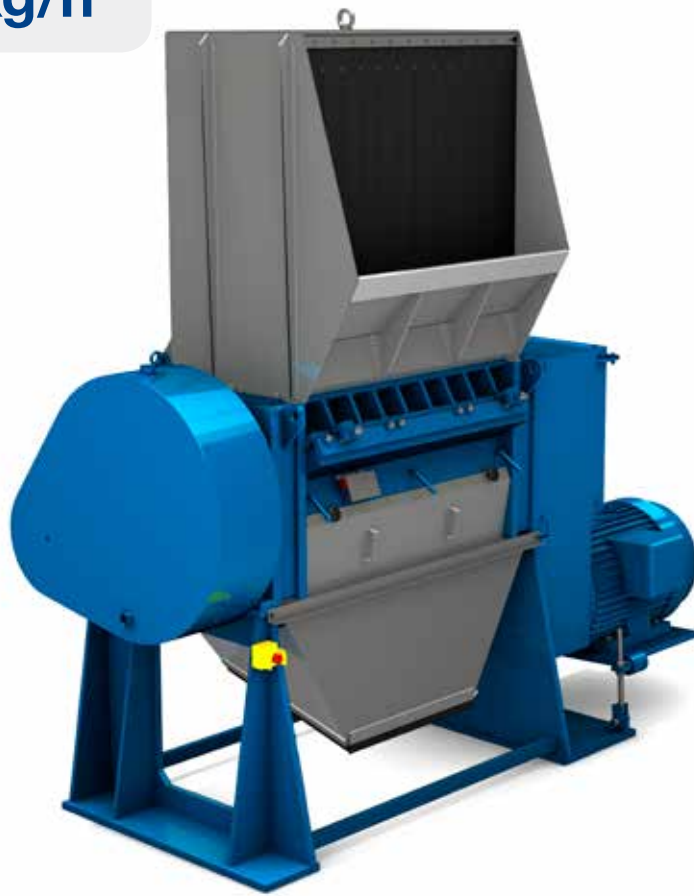


ELDAN Raspers - 800/1200

Up to 2000 kg/h



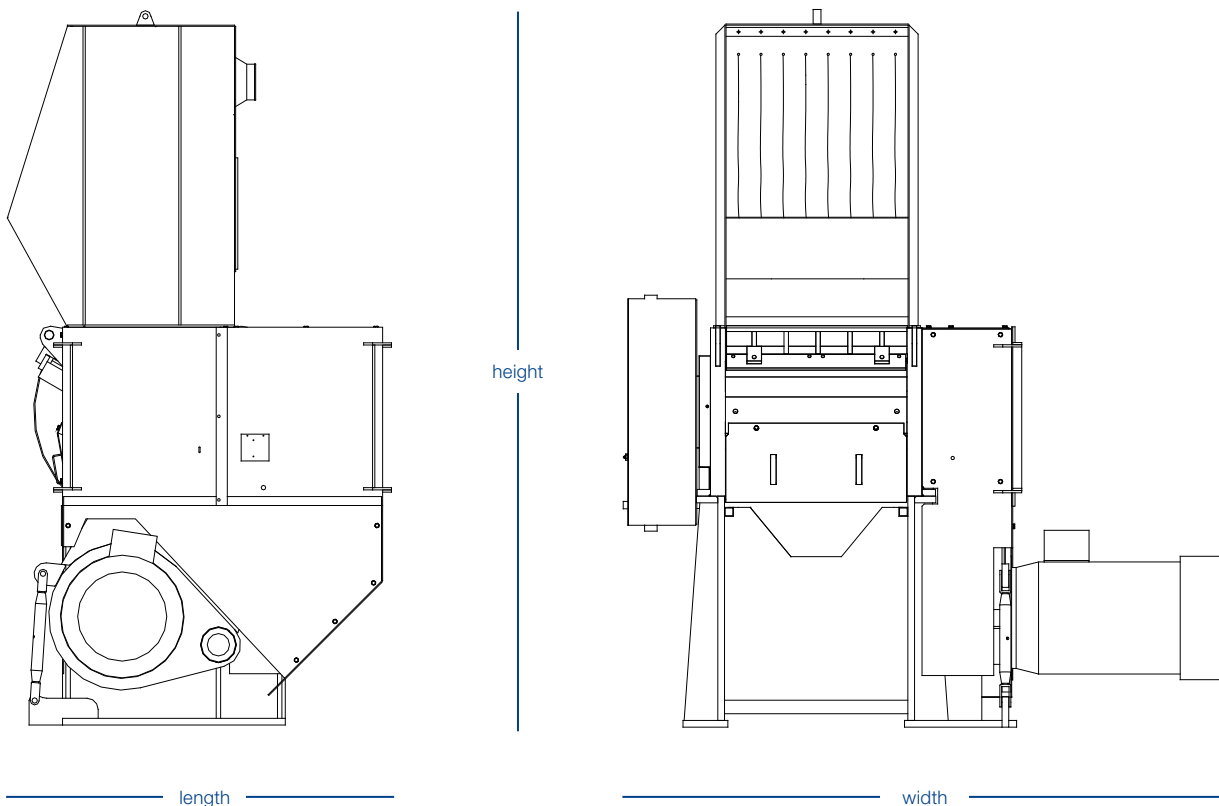
RASPERS

The ELDAN Raspers is used for primary size reduction of material in small and medium capacity recycling plants. The Eldan Raspers are typically used for granulation of e.g. cables and electronic and electrical waste (i.e. WEEE).

- Shear pins protect the drive system from momentary overload
- Adjustable knife clearance optimizes the cutting function
- The knives can be reground multiple times on a "flat-bed" grinder ensuring long life and low operation costs
- The machine is designed for quick and easy change of knives
- The flying knives are either wedge mounted or bolt mounted
- Hydraulic operated inlet hopper provides easy access to the cutting chamber for maintenance
- The rotor is manufactured and designed for minimum wear
- Screens with different hole sizes available for flexible production
- Exchangeable wear parts give you a virtually indestructible machine



Raspers



Technical specifications	R800	R1200	Units (EN/US)
Rotor length	800 / 31.5	1200 / 47.3	mm / in
Rotor speed	120	120	rpm
Knives - flying	8	12	pcs
Knives - static	2	3	pcs
Capacity*	Up to 1200 / 1656	Up to 2000 / 4410	kg / lbs per production hour
Motor	75	90	kW
Motor speed	1400	1400	rpm
Weight	5300 / 11685	6500 / 14330	kg / lbs
Length	1700 / 67	1700 / 67	mm / in
Width	2600 / 102	3000 / 118	mm / in
Height	3000 / 118	3000 / 118	mm / in

* Depending on type of input material, method of feeding and screen size
Standard voltage: 3 ph, 400, 50 Hz – for other voltages please contact our sales department

