

# ELDAN Twin Shaft Pre-Shredders

Up to 4500 kg/h



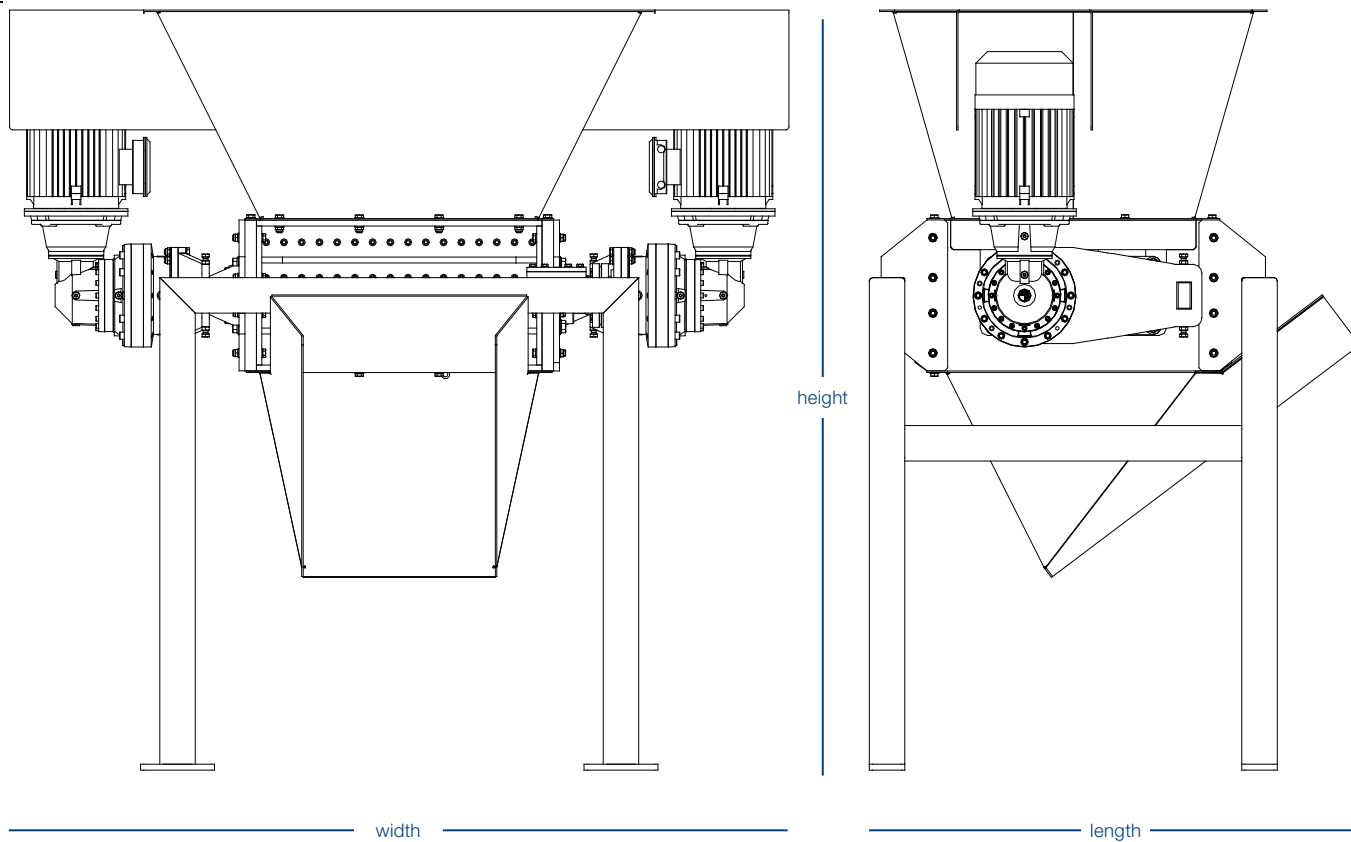
## TWIN SHAFT PRE-SHREDDERS

The ELDAN Twin Shaft Pre-Shredders are a perfect complement to cable and tyre plants for initial size reduction. They can be used for size reduction of materials like; copper and/or aluminium cable, tyres (TS1460-II) and refrigerators.

- The simple construction makes the change of the hooked knives easy, by lifting up the entire rotor.
- Two rotors are each equipped with electrical motors and high torque gearboxes.
- Provided with 2 rotors and wear resistant hooked knives for efficient pre-shredding
- The hooked knives are available in different thicknesses for controlling the size of the output.
- Two frequency converters ensures a very flexible operation i.e. individual setting of RPM, overload protection, auto reverse at overload and high torque from zero RPM.
- Stand and inlet hopper is customized for the individual set up.



# Twin Shaft Pre-Shredders



Technical specifications	TS970-II	TS1460-II	Units (EN / US)
Motors	2 x 15	2 x 55	kW
Rotor length	970 x 2 / 38 x 2	1460 x 2 / 58 x 2	mm / in
Rotor speed	nominel appr. 20	nominel appr. 20	rpm
Knives	15	15	pcs per rotor
Knife thickness	30 / 1.8	50 / 2	mm / in
Knife diameter (Ø)	400 / 16	450 / 18	mm / in
Capacity - cable *	≤1000 / 2200	≤4500 / 10000	kg/lbs per production hour
Capacity - tyre *	-	≤2000 / 4400	kg/lbs per production hour
Capacity of inlet hopper (approx.)	0.9 / 32	2 / 70	m <sup>3</sup> / cf
Weight (approx.)	4125 / 9000	9000 / 19800	kg / lbs
Length	1600 / 63	2000 / 78	mm / in
Width	2700 / 106	3800 / 150	mm / in
Height	2600 / 102	3100 / 122	mm / in

Standard voltage: 3 ph, 400 V, 50 Hz - for other voltages please contact our sales department  
 \* Depending on type of input material

